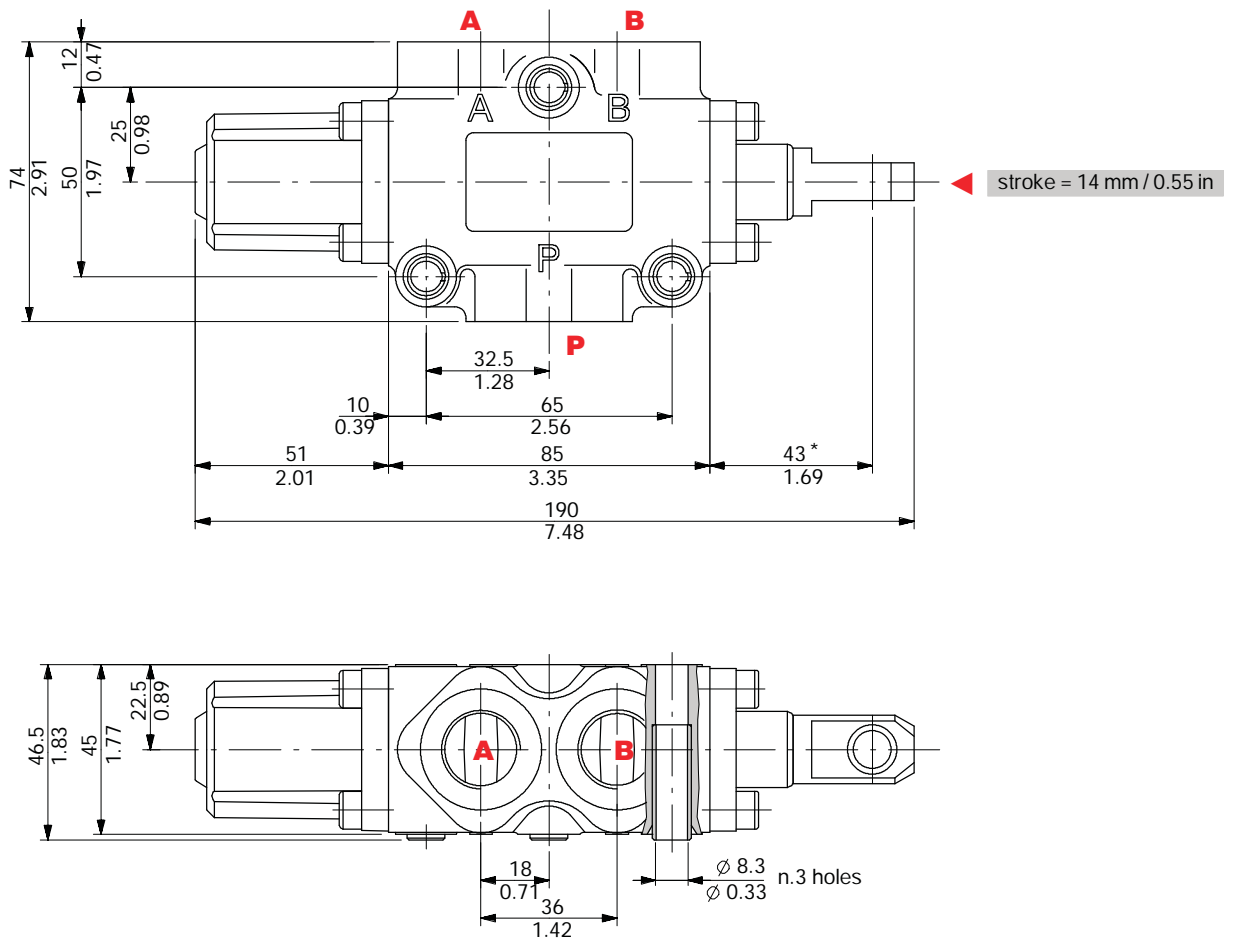


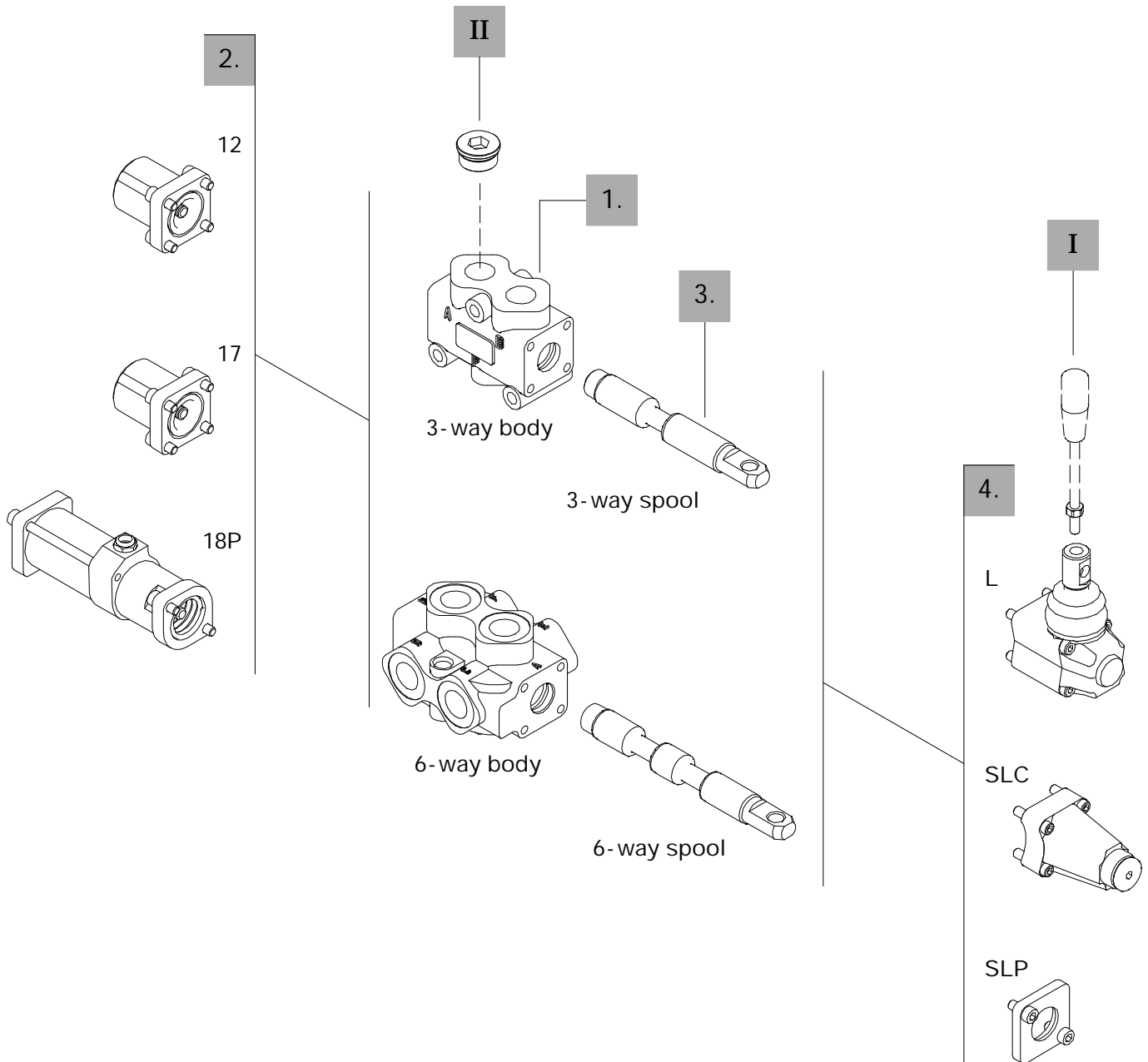
3-way DF10/3 valve



Ordering codes

DEscription example

Diverter valve	DF10/3	A	17	SLP
	1.	3.	2.	4.



### 3-way

#### 1. Body kit \*

TYPE	CODE	DESCRIPTION
DF10/3	5CO2241300	Standard body kit

Include body and seals

#### 3. Spool options

TYPE	CODE	DESCRIPTION
A	3CAS110310	3-way, 2 positions with ports connected in transit position
B	3CAS110410	3-way, 2 positions with ports closed in transit position
AT	3CAS110330	As type A with spherical end
AC	3CAS110320	As type A prearranged for cam control
BC	3CAS110420	As type B prearranged for cam control

### 6-way

#### 1. Body kit \*

TYPE	CODE	DESCRIPTION
DF10/6	5CO2242300	Standard body kit

Include body and seals

#### 3. Spool options

TYPE	CODE	DESCRIPTION
A	3CAS110610	6-way, 2 positions with ports connected in transit positions
B	3CAS110710	6-way, 2 positions with ports closed in transit positions
AC	3CAS110620	As type A prearranged for cam control
BC	3CAS110720	As type B prearranged for cam control

#### 2. Positioner kits page 26

TYPE	CODE	DESCRIPTION
12	5V12110000	Detent in positions 1 and 2
17	5V17110000	Spring return in position 1
18	5V18110000	Spring return in position 2
18P	5V18110710	ON/OFF pneumatic kit with spring return in position 2
18IA1	5V18110821*	ON/OFF high pressure hydraulic kit with spring return in position 2
18IB1	5V18110810*	ON/OFF low pressure hydraulic kit with spring return in position 2

#### 4. Control kits page 28

TYPE	CODE	DESCRIPTION
SLP	5COP110000	Without lever box with dust-proof plate kit
SLC	5COP210000	Without lever box with endcap
L	5LEV110000	Standard lever box
CB	5CAM110020	Cam control
IA2	5IDR510001*	ON/OFF high pressure hydraulic control
IB2	5IDR710000*	ON/OFF low pressure hydraulic control

#### I Optional handlever

TYPE	CODE	DESCRIPTION
AL01/M10x200	170012020	For lever L, height 200 mm / 7.87 in

#### II Ports plug

TYPE	CODE	DESCRIPTION
G1/2	3XTAP727180*	Body conversion from 3-way to 2-way circuit

NOTE (\*) - Codes are referred to BSP thread.